



Precision SMA Female to 2.4mm Male Adapter

TECHNICAL DATA SHEET

PE9655

Precision SMA Female to 2.4mm Male Adapter

Configuration

Connector 1	SMA Female
Impedance 1	50 Ohms
Connector 2	2.4mm Male
Impedance 2	50 Ohms
Adapter Design	Precision
Body Style	Straight

Electrical Specifications

Frequency Range, GHz	DC to 27
Maximum VSWR	1.2:1
Maximum Insertion Loss, dB	0.26

Mechanical Specifications

Temperature

Operating Range, deg C	-55 to +100
------------------------	-------------

Size

Length, in [mm]	0.772 [19.61]
Width/Dia., in [mm]	0.312 [7.92]

Connector 1

Type	SMA Female
Mating Cycles	500
Inner Conductor Material and Plating	Beryllium Copper, Gold
Inner Conductor Plating Specification	MIL-G-45204, Type II, Class 1
Body Material and Plating	Passivated Stainless Steel
Body Plating Specification	ASTM A380
Dielectric Type	PTFE

Connector 2

Type	2.4mm Male
Mating Cycles	500
Inner Conductor Material and Plating	Beryllium Copper, Gold
Inner Conductor Plating Specification	MIL-G-45204, Type II, Class 1
Coupling Nut Material and Plating	Passivated Stainless Steel
Coupling Nut Plating Specification	ASTM A380
Hex Size, Inch	5/16
Torque, in-lbs [Nm]	8 [0.9]
Body Material and Plating	Passivated Stainless Steel
Body Plating Specification	ASTM A380
Dielectric Type	PPO

Click the following link (or enter part number in "SEARCH" on website) to obtain additional part information including price, inventory and certifications: [Precision SMA Female to 2.4mm Male Adapter PE9655](#)

The information contained in this document is accurate to the best of our knowledge and representative of the part described herein. It may be necessary to make modifications to the part and/or the documentation of the part, in order to implement improvements. Pasternack reserves the right to make such changes as required. Unless otherwise stated, all specifications are nominal.



Precision SMA Female to 2.4mm Male Adapter

TECHNICAL DATA SHEET

PE9655

Compliance Certifications (visit www.Pasternack.com for current document)

RoHS Compliant

Yes

Plotted and Other Data

Notes:

Values at 25 °C, sea level

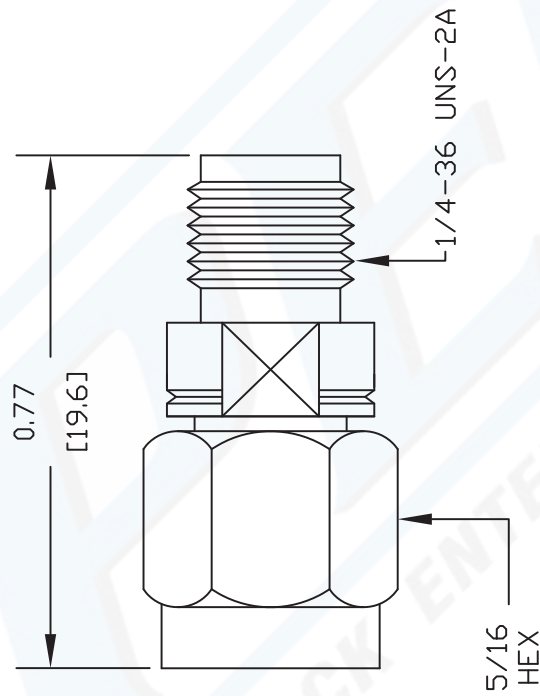
URL: <http://www.pasternack.com/sma-female-2.4mm-male-straight-adapter-pe9655-p.aspx>

Precision SMA Female to 2.4mm Male Adapter from Pasternack Enterprises has same day shipment for domestic and International orders. Our RF, microwave and fiber optic products maintain a 99% availability and are part of the broadest selection in the industry.

The information contained in this document is accurate to the best of our knowledge and representative of the part described herein. It may be necessary to make modifications to the part and/or the documentation of the part, in order to implement improvements. Pasternack reserves the right to make such changes as required. Unless otherwise stated, all specifications are nominal.

PE9655 CAD Drawing

Precision SMA Female to 2.4mm Male Adapter



NOTES:
 1. UNLESS OTHERWISE SPECIFIED ALL DIMENSIONS ARE NOMINAL.
 2. ALL SPECIFICATIONS ARE SUBJECT TO CHANGE WITHOUT NOTICE AT ANY TIME.
 3. DIMENSIONS ARE IN INCHES [mm].

DWG TITLE
PE9655

PASTERNAK ENTERPRISES, INC.
 P.O. BOX 16759, IRVINE, CA 92623
 PHONE (949) 261-1920 FAX (949) 261-7451
 WEB ADDRESS: www.pasternack.com
 E-MAIL ADDRESS: sales@pasternack.com
COAXIAL & FIBER OPTICS



REV. -	FSCM NO. 53919	CAD FILE 010903	SCALE N/A	SIZE A	127
--------	----------------	-----------------	-----------	--------	-----